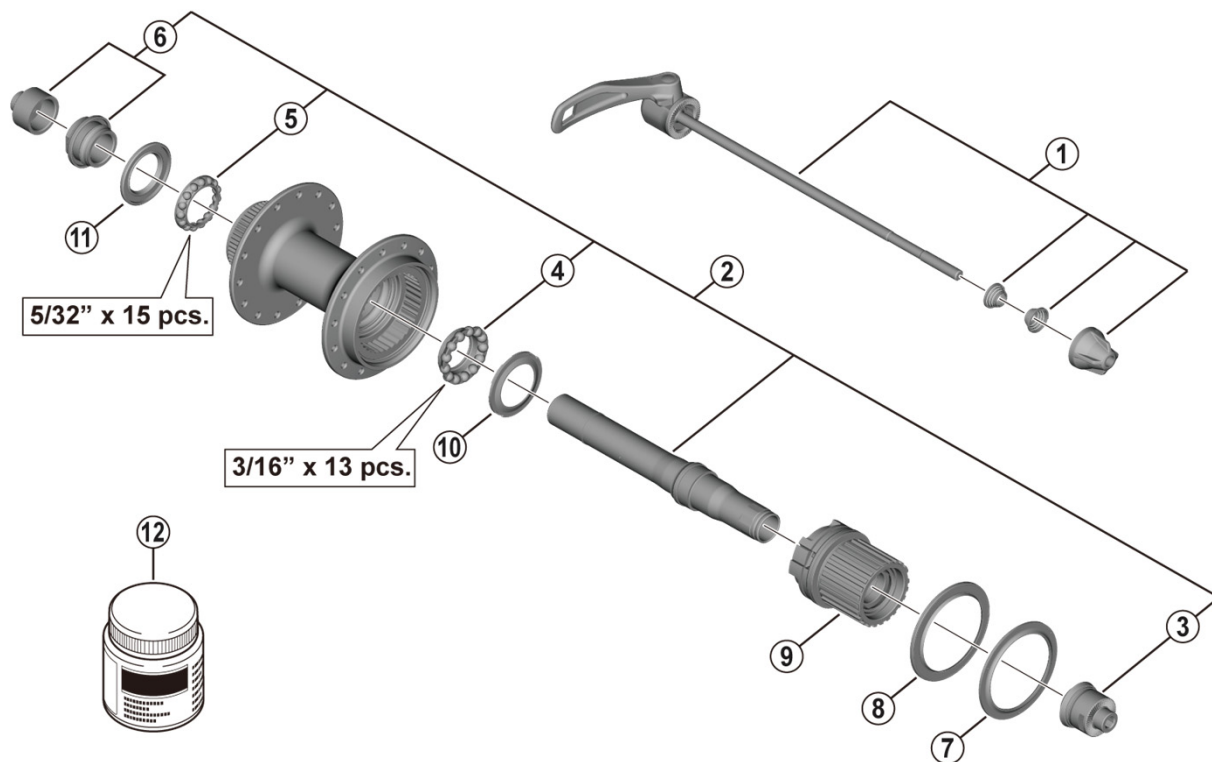


Freehub (12-Speed) For Disc Brake

# FH-MT500 FH-MT500-B



• Over Lock Nut Dimension: 135 mm for FH-MT500 / 141 mm for FH-MT500-B

ITEM NO.	SHIMANO CODE NO.	DESCRIPTION	INTERCHANGEABILITY	
			FH-MT500	FH-MT500-B
*	Y4SK98120	Complete Quick Release 168 mm for FH-MT500		
*	Y31H98010	Complete Quick Release 173 mm for FH-MT500		
* 1	Y3HW98010	Complete Quick Release 174 mm for FH-MT500-B		
*	Y3GC98040	Complete Quick Release 178 mm for FH-MT500-B		
2	Y3GC98050	Complete Hub Axle 146 mm for FH-MT500		
	Y3GC98060	Complete Hub Axle 152 mm for FH-MT500-B		
3	Y3GC98070	Right Hand Lock Nut Unit for Quick Release Type		
4	Y3G198030	Right Hand Ball Retainer (3/16" x 13)	A	A
5	Y0CJ98030	Ball Retainer (5/32" x 15)	A	A
6	Y3GC98080	Left Hand Lock Nut Unit		
7	Y3GD10000	Outer Seal Cap	A	A
8	Y3GD11000	Outer Seal Ring	A	A
9	Y0KD98040	Freewheel Body Unit	A	A
10	Y3G112000	Inner Cover	A	A
11	Y26D10000	Seal Ring	A	A
12	Y3B980000	Grease for Freehub 50g	A	A

A: Same parts.

B: Parts are usable, but differ in materials, appearance, finish, size, etc.

Absence of mark indicates non-interchangeability.

Jul.-2020-4549A

© Shimano Inc. |

Specifications are subject to change without notice.

# SHIMANO